



V-Series Automatic Screen Filters



V-Series Specifications

General Information

The V-Series design is the most recent, state-of-the-art self-cleaning screen filtration technology available today. The complexity and cleaning efficiency of any self-cleaning screen filter is in the mechanical system that drives the cleaning process. The V-Series® patented drive mechanism is the simplest and most efficient in design resulting in:

- fewer moving parts (no limit switches or pistons reversing the cleaning mechanism),
- simpler controls,
- lowest flush flow available,
- greater cleaning efficiency, and
- lower maintenance requirements.

The V-Series' 5 to 15 second flush cycle is automatically initiated when a pressure differential across the screen increases to 7 psi. The filter remains on-line and the filtration process remains uninterrupted during the brief cleaning process. The flush discharge is the lowest available resulting in minimal waste.

The V-Series filters are designed to ASME code and manufactured in an ASME facility. The filters are available in a broad range of materials, pressure ratings, and temperature ratings to suit any need. Valve and Filter custom manufactures filters and skids that simplify installation and meet specific requirements.

Call VAF and discover the reasons our customers stay with us.

Materials

- | | |
|-------------|--|
| Filter body | <ul style="list-style-type: none">• 2" - 10" inlet/outlet, 316 SS• 10" - 20" inlet/outlet, epoxy coated carbon steel ** |
| Screens | <ul style="list-style-type: none">• 316L SS sintered ** |
| Flanges | <ul style="list-style-type: none">• AWWA Class D ** |
| Seals | <ul style="list-style-type: none">• nitrile, viton, silicone |

Filtration Range

- 15 to 1500 micron **

Flow Range

- 35 to 3,670 gpm per filter (with 130 micron screen)

Max Pressure

- 150 psi **

Min Pressure

- 35 psi **

Max Temp

- 176° F (80° C) **

Flush Cycle

- 5 to 15 seconds

Control Options

- VF1B - battery powered, single filter
- VF-AC - electronic, up to 12 filters
- VF-PFC - programmable, electronic, data logging, multiple interface options

** Other options are available on request.

VAF Filtration Systems, LTD

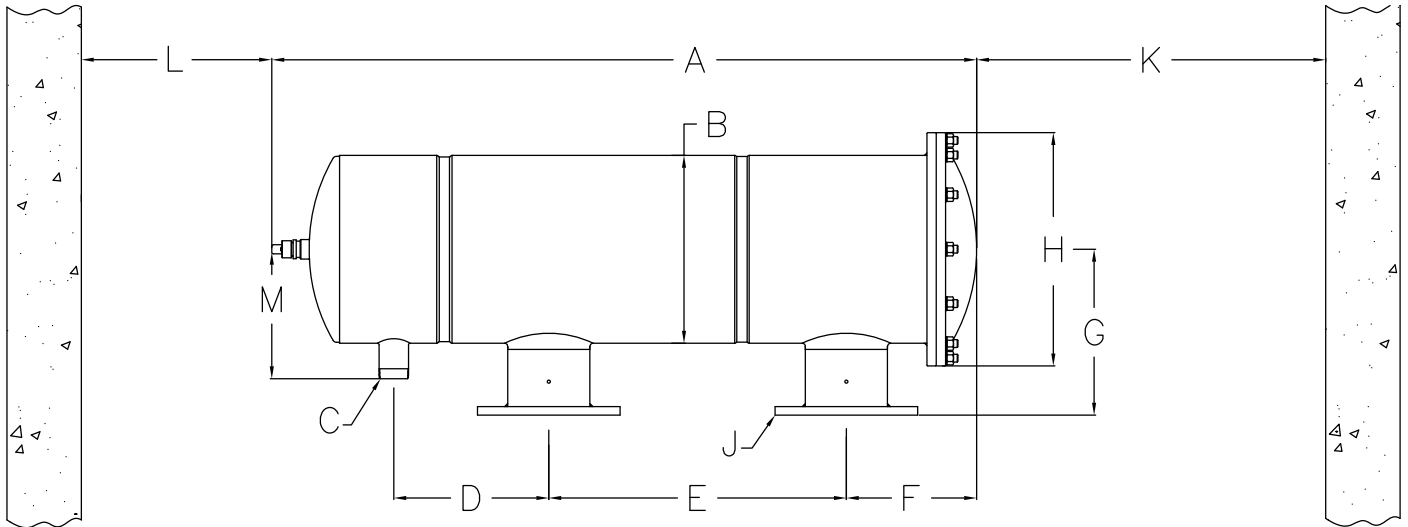
5270 Marshall Street, Arvada, CO 80002 USA

Phone 303-425-4242 Fax 303-425-0112

www.valveandfilter.com

sales@valveandfilter.com

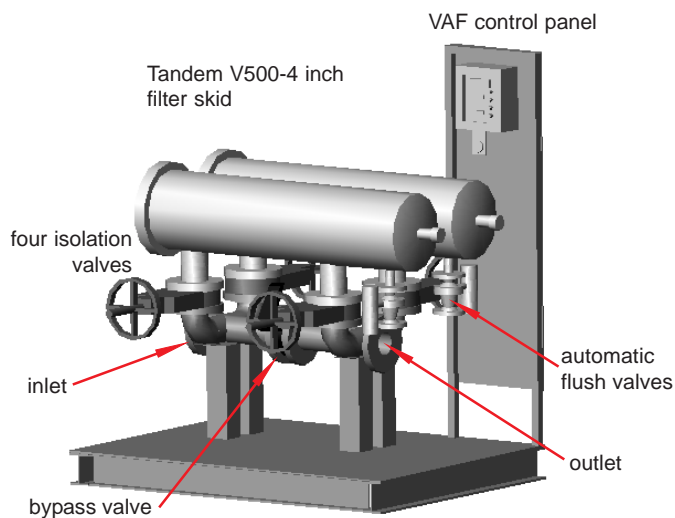
Dimensions



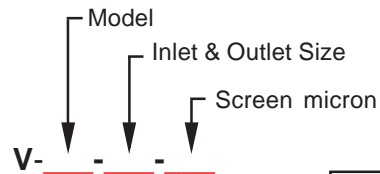
Model	Dimensions - inches												screen area in ²	nominal flow (gpm)			flush flow gallons	# of nozzles
	A	B	C	D	E	F	G	H	J	K	L	M		Micron				
	length	body dia.	flush line						flange	clearance					100	200		
V-250-X	38.2	10.1	1.5" NPT	7.6	11.5	9.4	9.2	13.5	3-4	36.0	8.0	6.9	224	270	360	400	8	2
V-500-4	48.4	10.1	1.5" NPT	8.6	21.5	9.0	9.2	13.5	4	45.0	8.0	6.9	448	540	720	800	15	4
V-500-6							9.6		6									
V-1000-X	60.7	15.2	2" NPT	13.6	24.0	11.2	13.2	18.8	6-8	60.0	8.0	10.6	867	1050	1400	1550	15	4
V-1500-8	72.8	15.2	2" NPT	13.6	36.0	11.2	13.2	18.8	8	70.0	8.0	10.6	1300	1600	2100	2350	23	6
V-1500-10							14.8		10									
V-2000-X	82.1	20.3	2" NPT	18.0	36.0	17.4	16.8	27.5	10-12-14	80.0	8.0	12.9	1696	2085	2800	3060	30	6
V-2500-X	96.2	22.2	3" NPT	19.0	48.0	17.8	18.1	29.0	12-14-16	85.0	8.0	14.8	2262	2710	3840	4200	44	8
V-3500-X	124.5	24.0	3" NPT	34.7	50.0	22.9	20.0	32.0	14-16-20	120.0	8.0	16.3	3060	3670	4900	5360	44	8

Note: Valve and Filter "nominal flow" rates shown are for 100, 200 and 300 micron filtration ratings for demonstration purposes only. Coarser micron ratings result in higher allowable flow rates. Finer micron ratings result in lower allowable flow rate. Please contact Sales@ValveAndFilter.com for current drawings. Dimensions subject to change.

Typical Application



How To Order



OPTIONS:

Models	In/Outlet Size
V-200PA	3" NPT or BSP
V-250	3" or 4"
V-500	4" or 6"
V-1000	6" or 8"
V-1500	8" or 10"
V-2000	10", 12" or 14"
V-2500	12", 14" or 16"
V-3500	16", 18" or 20"

Select Screen Micron
10, 15, 25, 50, 75, 100, 150, 200, 300, 600, 800, 1500, 1600, or 2000 Micron

Additional connection options available.

VAF Filtration Systems, LTD

5270 Marshall Street, Arvada, CO 80002 USA

Phone 303-425-4242 Fax 303-425-0112

www.valveandfilter.com

sales@valveandfilter.com